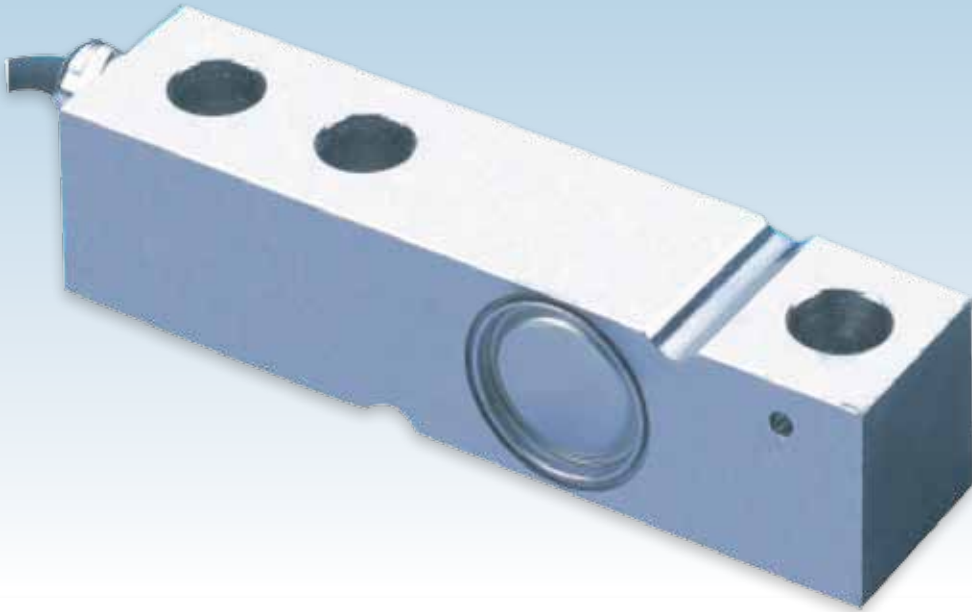


# SHEAR BEAM LOAD CELLS FOR INDUSTRIAL WEIGHING

*capacities 300kg - 5000kg*



This fully welded shear beam load cell is hermetically sealed to IP68/IP69K and can be used in the harshest industrial environments. It is typically used in weigh platforms, tanks and vessel weighing, bag filling machines and conveyors, and is approved to OIML R60 3000 divisions.

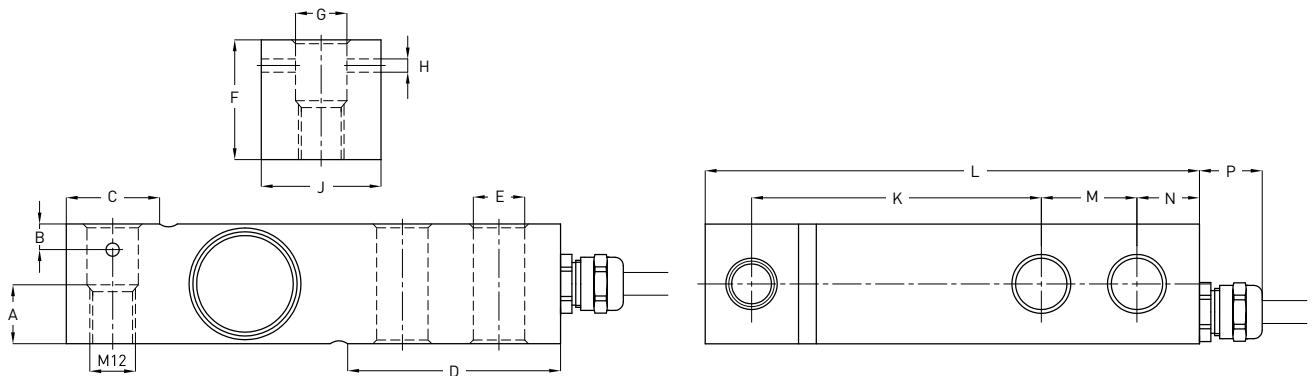
350i load cells are available with intrinsically safe ATEX certification for all Gas and Dust zones. ATEX certification for Dust zones 20, 21 and 22 does not require safety barriers, saving substantial cost.

For applications in aggressive environments where stress corrosion or acid attack is an issue, a special parylene coating can be specified as an option. High temperature variants for operation in environments up to 150°C are also available.

- Stainless steel load sensor
- Hermetically sealed, fully welded construction
- High durability PU cable
- Sealed to IP68 / IP69K
- 3000 divisions OIML R60 Class C
- 5 year warranty
- High Integrity cable entry
- Optional load feet and mounting assemblies
- Available in high temperature version
- Available in  version

# 350i

technical specification...



## Model 350i ATEX Certification

Code	Temperature Class	Parameters	Application
II 1 GD Ex ia II C T4..T6 Ga IP68 T85°C Ex ia IIIC T135°C T85°C Da Ex ta IIIC T85°C Da	T4	Pi = 1.3W	Gas Zones 0, 1, 2 with safety barriers Dust Zones 20, 21, 22 without safety barriers
	T5	Pi = 0.8W	
	T6	Pi = 0.53W	

## Dimensions

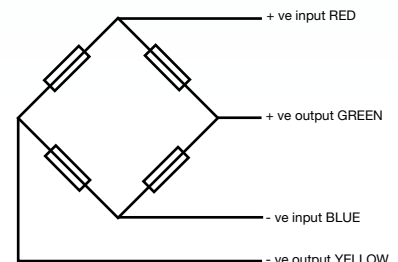
Range (kg)	300 - 2000	3000 - 5000
A	15	-
B	6.5	-
C	24.6	37
D	56	76
E	13.5	20.5
F	31.5	48
G	13.5	20.5
H	3.5	-
J	31.5	41.5
K	76.2	95.2
L	130	171.5
M	25.4	38.1
N	15.8	19
P	18	18

## 350i Load Cell

	Load cell specification	Units
<b>Load Cell Capacities</b>	300, 500, 750, 1000, 1500, 2000, 3000, 5000	Kg
<b>Rated Output</b>	2	mV/V +/- 0.25%
<b>Accuracy Class</b>	3000	n.OIML
<b>Combined Error</b>	< +/- 0.017	%*
<b>Non-repeatability</b>	< +/- 0.015	%*
<b>Creep (30 minutes)</b>	< +/- 0.016	%*
<b>Temperature Effect on Zero Balance</b>	< +/- 0.002	%* / °C
<b>Temperature Effect on Span</b>	< +/- 0.0012	%* / °C
<b>Compensated Temperature Range</b>	-10 to +40	°C
<b>Operating Temperature Range</b>	-20 to +70	°C
<b>Safe Overload</b>	150	%*
<b>Ultimate Overload</b>	200	%*
<b>Zero Balance</b>	< +/- 2	%*
<b>Input Resistance</b>	400	Ω +/- 30
<b>Output Resistance</b>	350	Ω +/- 1.5
<b>Insulation Resistance</b>	> 5000	MΩ @ 100V
<b>Recommended Supply Voltage</b>	10	V
<b>Maximum Supply Voltage</b>	15	V
<b>Environmental Protection</b>	IP68 / IP69K	
<b>Cable length</b>	5	m
<b>Nominal Shipping Weight (300 - 2000kg)</b>	0.9	kg
<b>Nominal Shipping Weight (3000 - 5000kg)</b>	2.2	kg

\*With respect to rated load

Dimensions in mm



## Electrical Connections

Via 4 wire, 5.7mm diameter, screened polyurethane cable.

Screen not connected electrically to load cell.

DISTRIBUTED BY:



## THAMES SIDE SENSORS LTD

Unit 10, io Trade Centre, Deacon Way, Reading, Berkshire RG30 6AZ

tel: +44 (0) 118 941 1387

fax: +44 (0) 118 941 2004

sales@thames-side.co.uk

www.thames-side.com



Issue: 350i.07.13

Our policy is one of continuous product enhancement. We therefore reserve the right to incorporate technical modifications without prior notification.

