



ADVANCED WEIGHERS AND WEIGHING SYSTEMS FOR STATIC, DYNAMIC AND CONTINUOUS WEIGHING



JesCheck Carousel

SUPPLIER FOR

- The grain and feed milling industry
- The food industry
- The chemical/technical industry



Jescheck Carousel

Check weigher for weighing and sorting out products

This check weigher is designed with focus on flexibility and optimization of existing product lines.

The Check weigher optimizes a given production as weighing and sorting is directly integrated into the product line.

The solution is very flexible and can be installed anywhere where cans/tins and similar products that are moving on a conveyor have to be weighed without interrupting the product flow.

The check weigher operates in a rotating cycle, which is optimal when weighing products with a less stable base. The check weigher is very suitable for product lines, where products are to be weighed at high speed with very small tolerances.

Accuracy, reliability and ease of integration make this check weigher the ideal weighing solution for product lines where no "traditional" check weigher can be fitted.

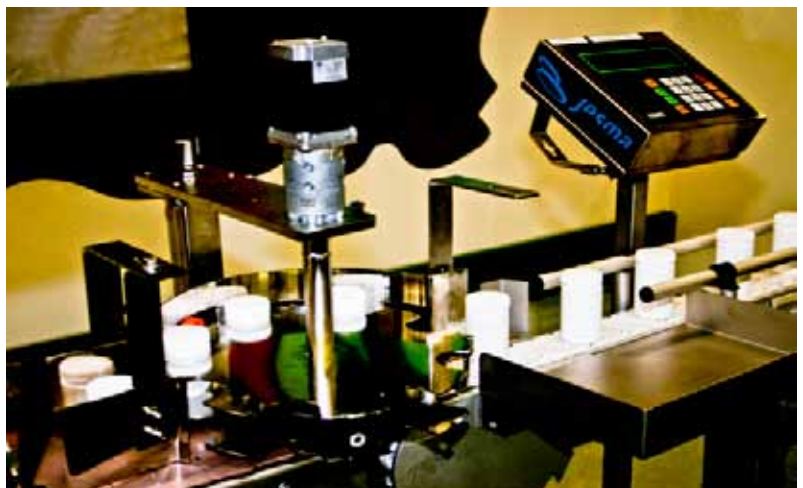
Construction

The weigher is compact and almost maintenance free, as it only consists of one moveable part - the carousel.

The weighing is static, as the products are standing still during weighing which gives a high accuracy of $\pm 0.1 - 0.5$ g depending on speed and product.

The possibilities are many when it comes to choice of control system, and several different types of interfaces can be chosen.

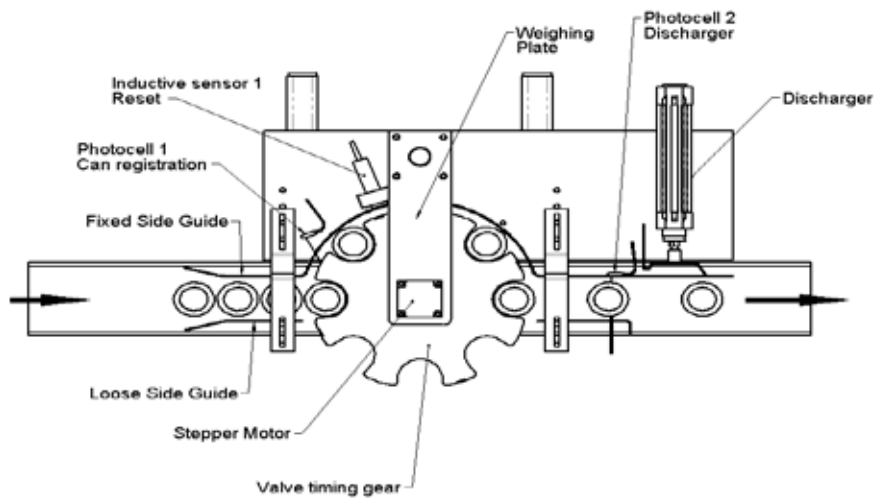
The specifications below are only indicative - if other sizes are needed you are more than welcome to contact us.



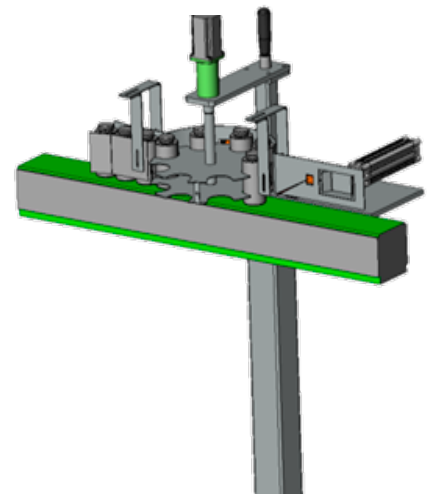


RELIABLE ACCURACY

Type JesCheck	Biggest subject Diameter x Height [mm]	Capacity Number of units pr. min	Weighing accuracy
JC-300	Ø65 x 150	80	+/- 0.1
JC-500	Ø120 x 250	60	+/- 0.2
JC-700	Ø200 x 400	50	+/- 0.5



Power supply : 12-30 V DC or 110-240 V AC
 Power consumption : 7.5 VA (max.)
 Ambient temperature : -10°C to + 40°C
 Interface : RS-232
 RS-422
 RS-485
 4-20 mA





www.jesma.com

JESMA
Helsingørvej 18
DK-7100 Vejle
Tel.: +45 75 72 11 00
Fax: +45 75 75 12 22
Mail: jesma@jesma.dk
www.jesma.com

JESMA GMBH
Alter Kirchenweg 83
D-24983 Handewitt
Tel.: +45 22 28 54 54
Fax: +45 75 72 12 22
Mail: jesma@jesma.com
www.jesma.com

JESMA SP. Z O.O.
ul. Przemysłowa 48b
PL-Piła 64-920
Tel.: +48 722 011 022
Fax: +48 672 153 458
Mail: jesma@jesma.com
www.jesma.com