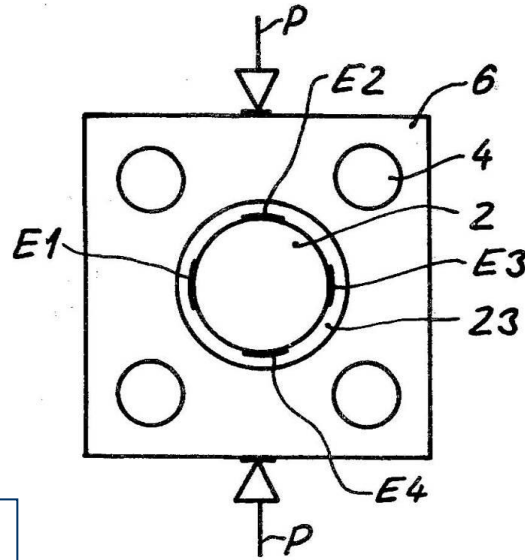


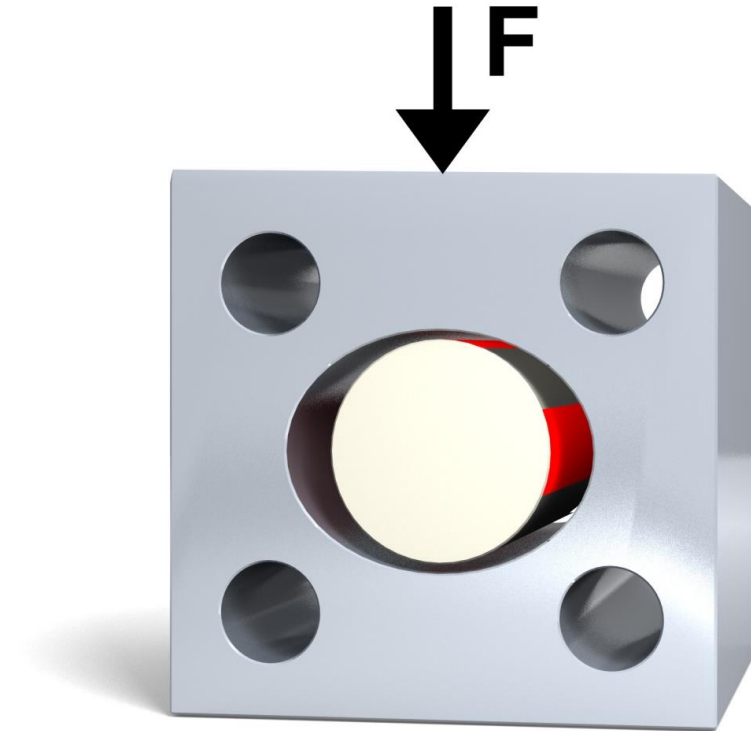
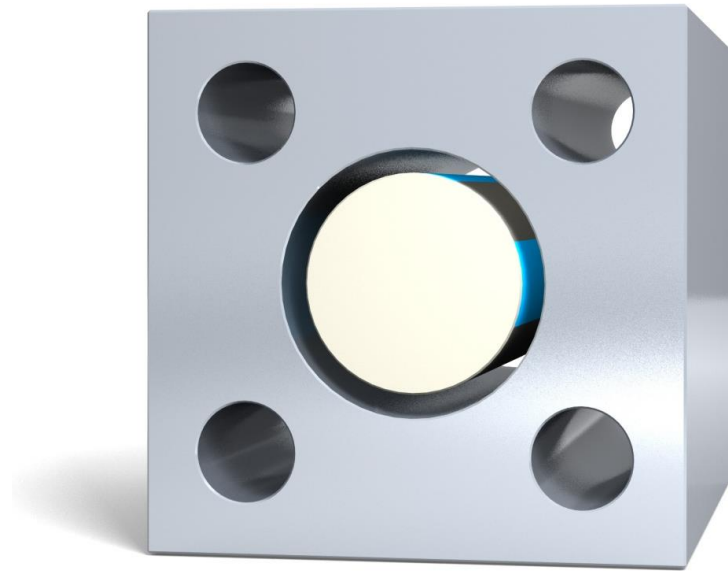
A Robust Measurement Principle

- Original patent: A non-contact capacitive measurement principle
- Technology patented Worldwide (EU, US, Japan, Russia, Korea, China, HK, India etc.)



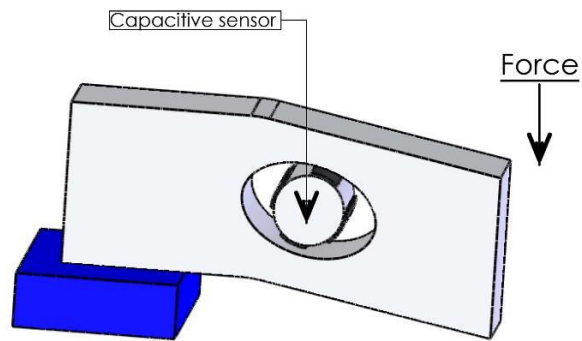
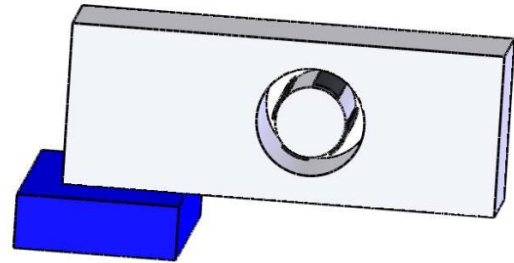
The non-contacting and high sensitivity sensor results in a very robust and stiff load cell

Capacitive Measurement

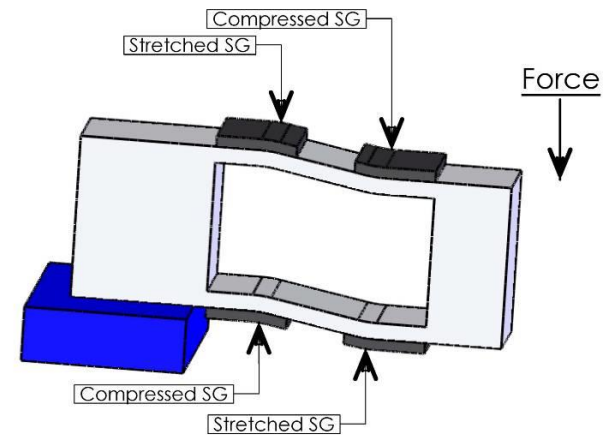
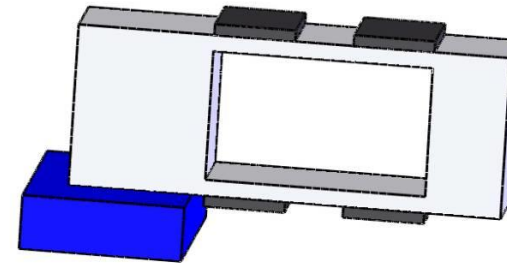


Distance vs. Strain Measurement

Capacitive load cell

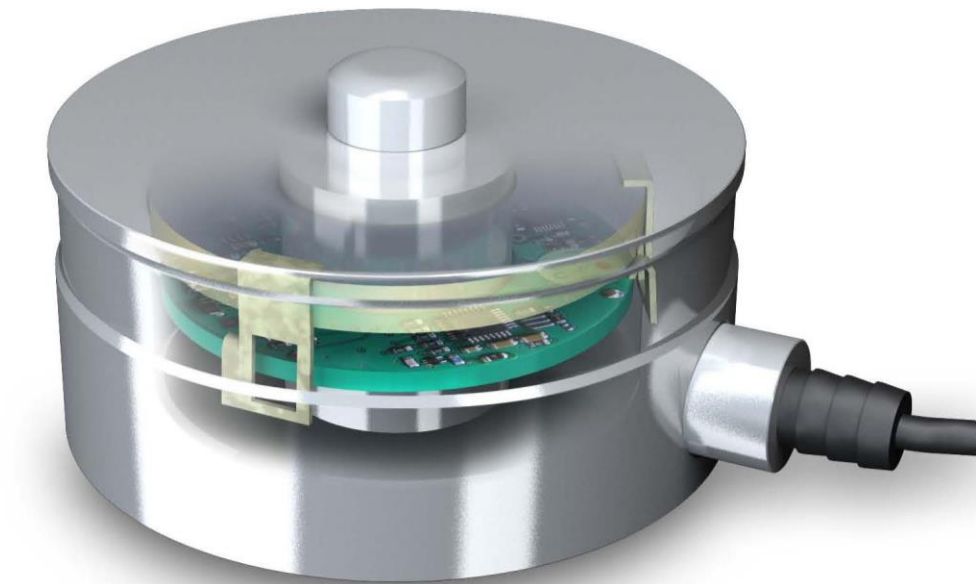


Strain gage load cell



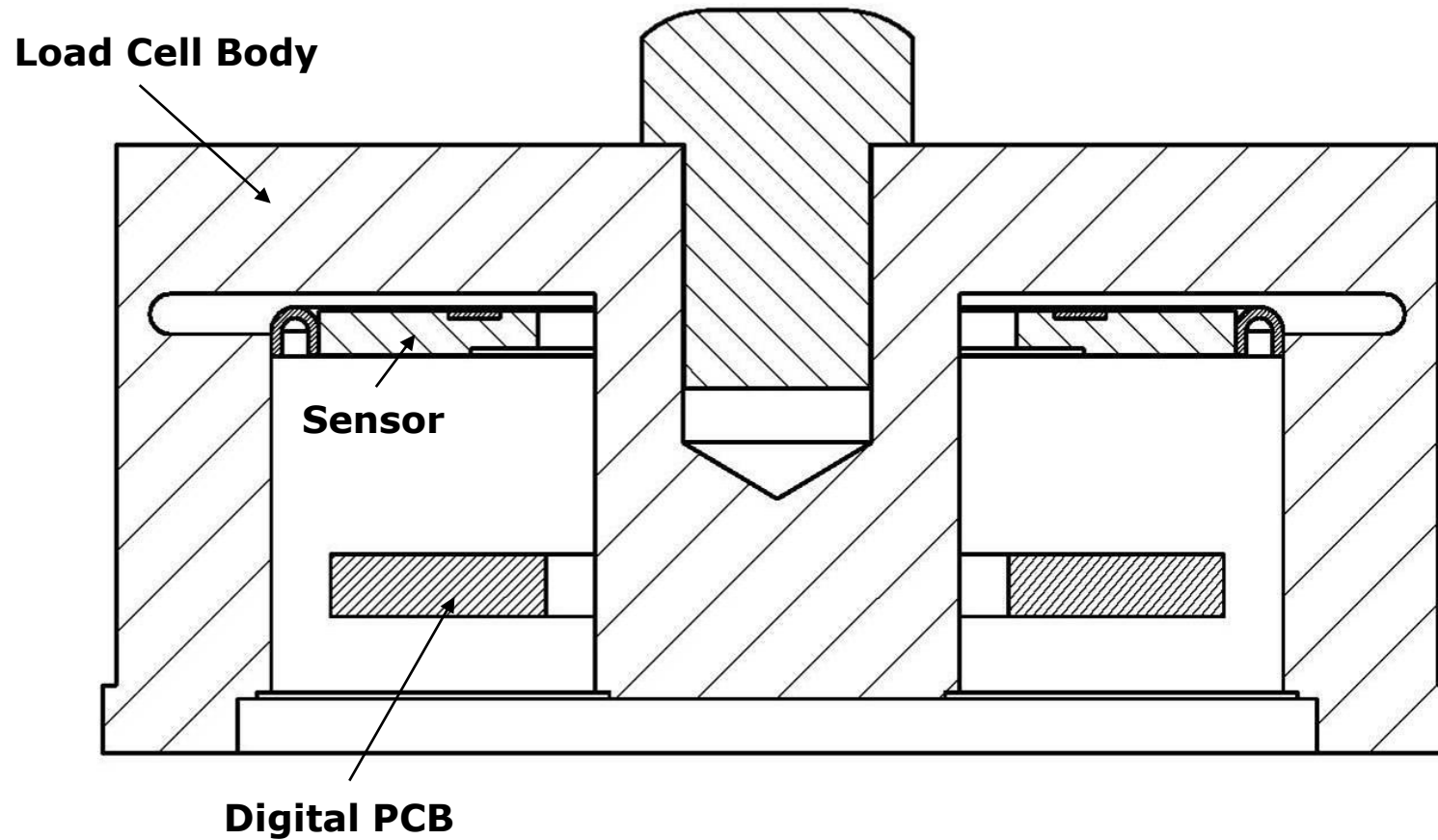
Flexible technology, parameter change of > 10%

Example: Compression Load Cell

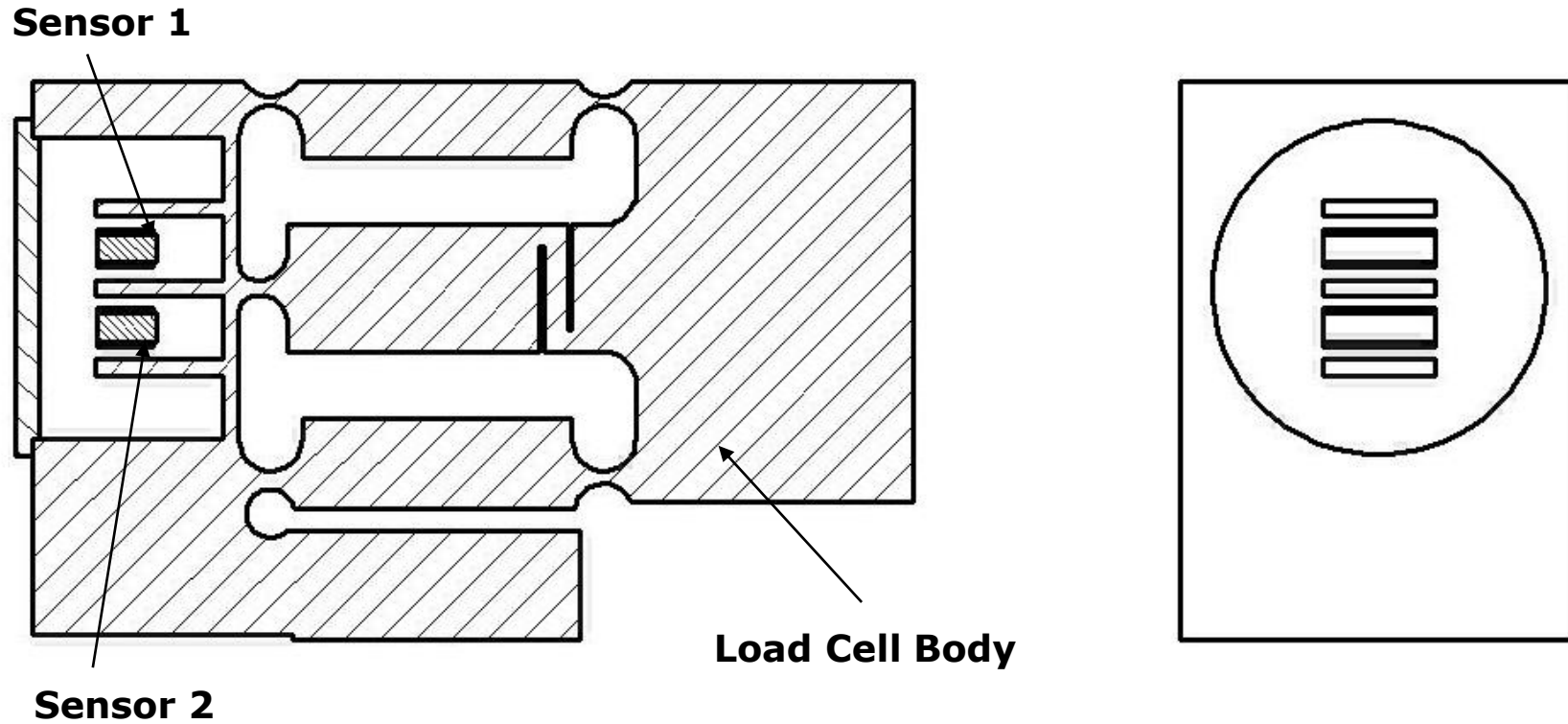


The digital technology eliminates the drift and inaccuracy found in analog electronics as the complete measurement chain is digital

Example: Compression Load Cell



Example: Single Point Load Cell



Example: Single Point Load Cell

