



Mass Flow Scale

Coriolis Measuring

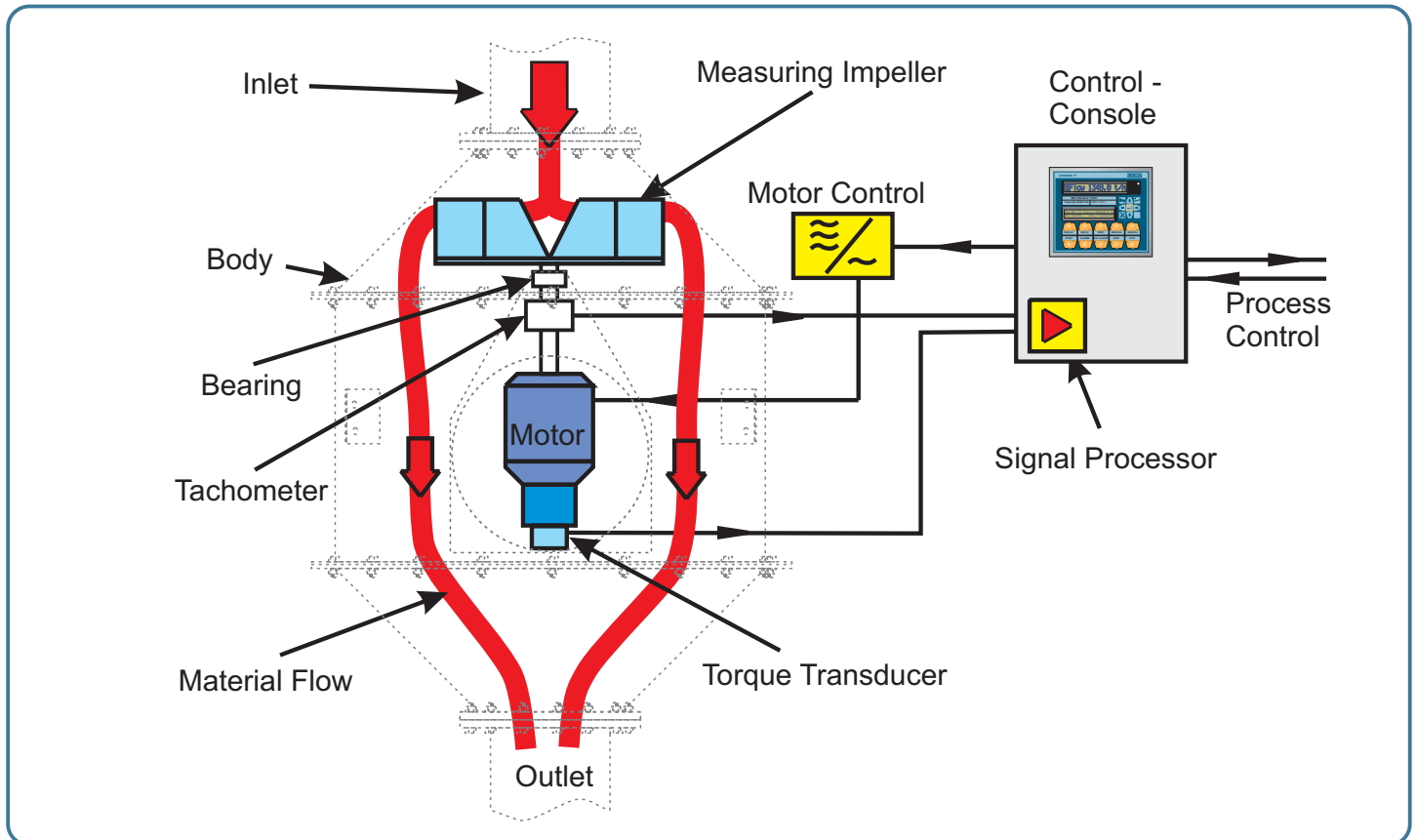


***Reliable Mass Flow Measuring
for Solid Bulk Materials***

THE INDUSTRIAL WEIGHING SPECIALIST

Coriolis Mass Flow Scale CO from S-E-G

Materials like potash, milk powder, starch and many more are often hard to weigh, but the requirement to know true weight for a process to work is greater than ever. Using mass acceleration instead of gravity the CO can weigh many materials traditionally causing problems with very high repeatability and accuracy.



Accurate

The CO is a true mass measuring device, not susceptible to material density and installation miscues.

Easy Inline Installation

The CO is installed directly in a straight vertical material path, optionally together with a feeding device.

Dust Proof

Fully enclosed for a clean working environment and no fragile parts in contact with material.

Low Maintenance

Few moving parts and a robust design assures stable calibration and a long usable life cycle.

Reliable

The unmatched long term repeatability makes it a perfect component in continuous measuring.

Modular Design

Standardized modules for quick delivery, spare part availability and good economy.

Loading / Unloading

Loading material to and from silos in predetermined quantities traditionally requires weighing of the entire silo. With built-in controller functions for preset loading, multiple totalizers and feeder control, the CO offers an smart alternative. Using mass, not weight, it is not sensitive for installation errors. Even mobile use without perfect vertical material path is possible.



Flow Control

Keeping a constant flow rate for a long time is essential in many processes such as power generation. With minimal downtime and excellent long term stability the CO can be online for very long periods, delivering the required flow within tight tolerances. With true mass measuring, material, temperature and environmental variations do not result in the need of recalibration.

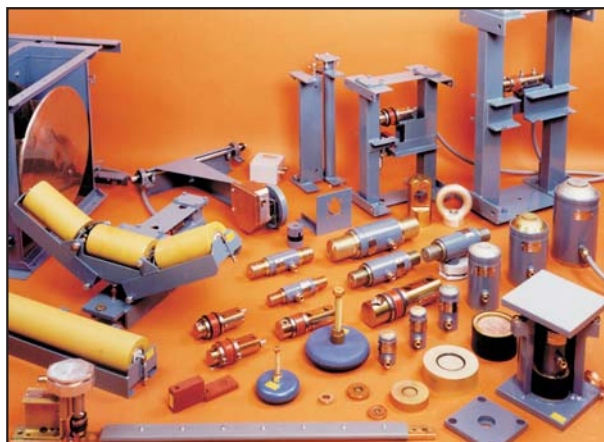


Continuous Blending

Blending in fixed relation with other ingredients in a continuous process is easily handled. The CO works with master control systems and accepts external set point in slave mode, but also contains a smart PID controller and can act as a master controller for the entire process. With industry standard 4-20 mA in/output in addition to serial computer interfaces, it can cooperate with all types of equipment.



HEAVY INDUSTRIAL WEIGHING



S-E-G is one of few companies in the world specializing in industrial weighing. For over 50 years we have acquired a unique knowledge in our special fields.

- **Belt Scales**
- **Mass Flow Meters**
- **Batching Systems**
- **Level Measuring**

Our products can be found in virtually every type of process operation, all over the world.

With our wide experiences we are a dependable supplier, today and tomorrow.

We have a continuous R&D of new products at our main office in Stockholm, Sweden.

We work with a well established network of representatives, material handling experts who can provide engineering, support and service.

S-E-G INSTRUMENT AB

Box 111 43
161 11 Bromma
Sweden

Telefon
+46-8-764 74 00

Telefax
+46-8-764 75 00

Internet
www.s-e-g.com

